

• APTIV •

ASSEMBLY MANUALS

PRE - ASSEMBLY

HARNESS ASSEMBLY

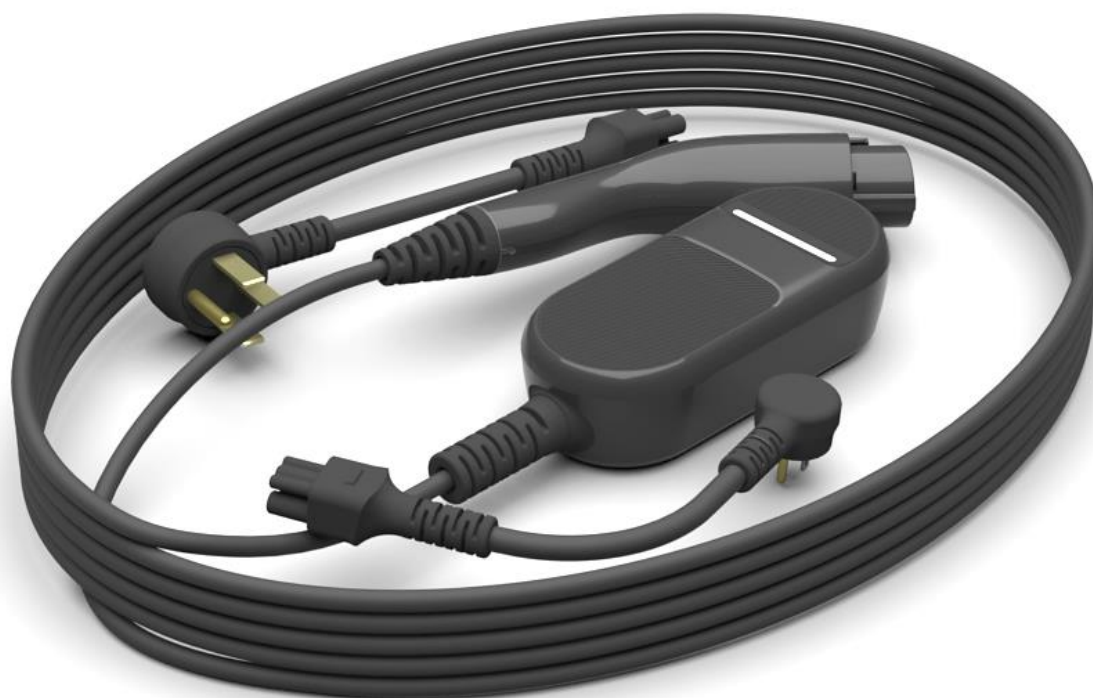
CAR ASSEMBLY

ASSEMBLY MANUAL - 35702998

HV 32A Charging Cable Connection System

August 2022

D



Issued by
CTC Warren, Ohio
STC Saltillo, Mex.

Saltillo Technical Center

The information contained in these assembly instructions is subject to alteration without prior notice and does not represent any obligation on the part of APTIV. All the information is correct at time of releasing. Reprinting or translation is not permitted without written permission from APTIV. © **Copyright 2022 APTIV**. All rights reserved.

TABLE OF CONTENTS



CAR ASSEMBLY SECTION

ASSEMBLY OF THE FACE SEALS	4
List of Components & Exploded View	5
Step 1 – Install 1 Way Face Seals	6
Step 2 – Install 3 Way Face Seal	7
Face Seals Assembly – Completed	8
Recommended Repair Tools	9
REVISIONS	10

**ASSEMBLY OF THE
FACE SEALS**

PRE - ASSEMBLY

HARNESS ASSEMBLY

CAR ASSEMBLY

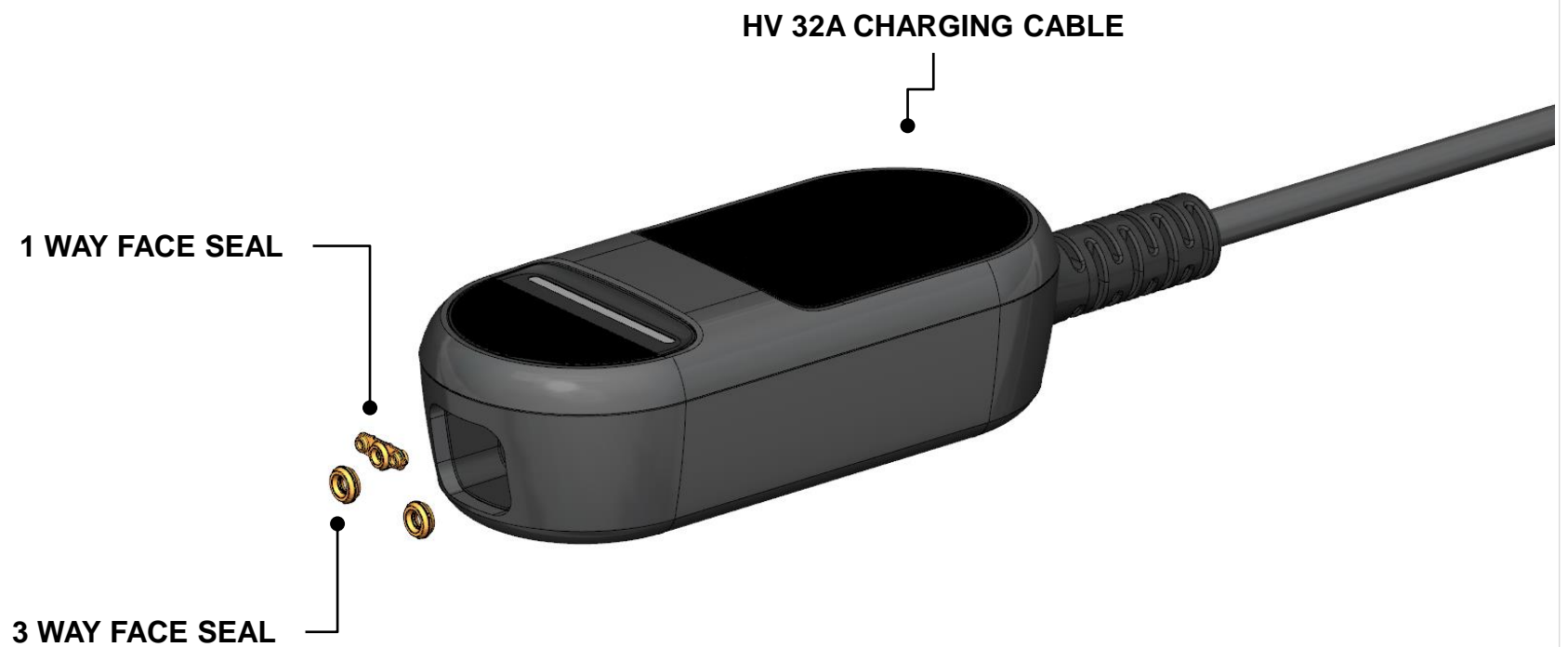
HV 32A Charging Cable Connection System



ASSEMBLY

LIST OF COMPONENTS & EXPLODED VIEW

QUANTITY	COMPONENTS
1	HV 32A CHARGING CABLE
2	1 WAY FACE SEAL
1	3 WAY FACE SEAL



Pictures used in this Assembly Manual and original parts may differ in some details. These differences have no influence on the assembly process.

ASSEMBLY

STEP 1a – Install 1 Way Face Seals

IDENTIFY THE AREA TO INSERT THE 1 WAY SEALS



ALIGN AND PLACE FACE SEALS ONTO TERMINAL PINS BY HAND, ONE AT A TIME



STEP 1b – Install 1 Way Face Seals

SEALS MUST BE WRAPPED AROUND THE TERMINAL PINS



DETAIL



IDENTIFY THE PROPER ORIENTATION OF THE TOOL AND ALIGN IT WITH THE INLET



ASSEMBLY

STEP 1c – Install 1 Way Face Seals

PUSH THE TOOL INTO THE INLET TO INSTALL THE FACE SEALS INTO BOTTOM OF CAVITY



DETAIL



1 WAY FACE SEALS
INSTALLED

STEP 2a – Install 3 Way Face Seal

IDENTIFY THE PROPER ORIENTATION OF THE 3 WAY FACE SEAL



ALIGN AND PLACE THE FACE SEAL ONTO TERMINAL PINS BY HAND



ASSEMBLY

STEP 2b – Install 3 Way Face Seal

IDENTIFY THE AREA TO INSERT THE 1 WAY SEALS



DETAIL

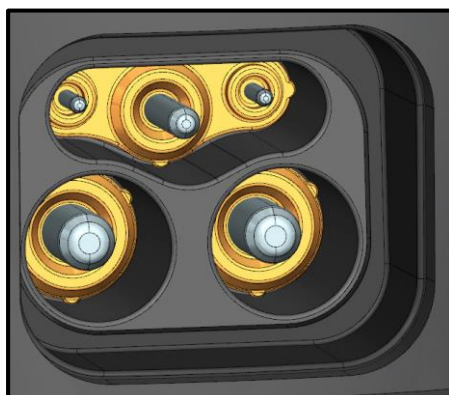


ALIGN TOOL IN THE PROPER ORIENTATION AND INSERT IT INTO THE INLET TO PUSH THE FACE SEAL FORWARD

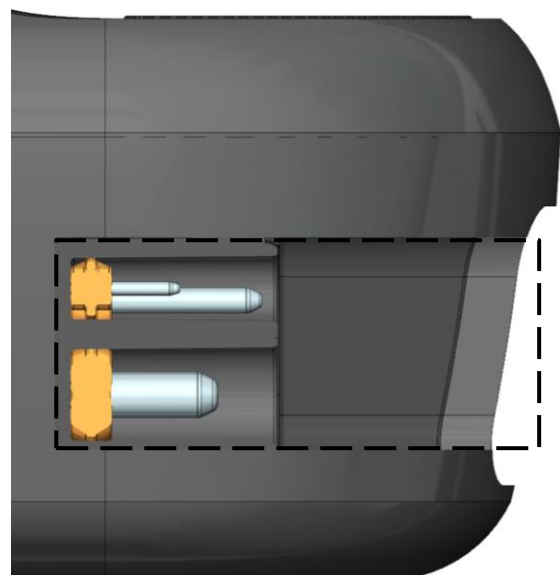


STEP 2c – Install 3 Way Face Seal

SEALS MUST BE WRAPPED AROUND THE TERMINAL PINS, VERIFY THE SEALS ARE NOT DAMAGED, BUNCHED OR ROLLED DURING INSERTION



DETAIL

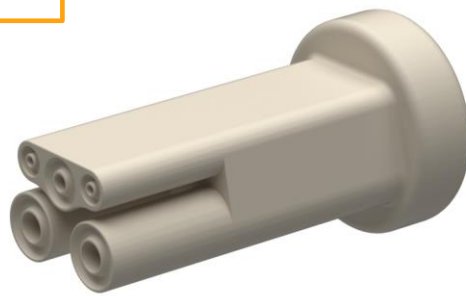


SECTION VIEW

3 WAY FACE SEAL
INSTALLED

RECOMMENDED REPAIR TOOLS

1



ITEM	APTIV PART NUMBER
1	SEAL INSERTION TOOL

REVISIONS

DATE	REV	REVISION HISTORY	AUTH
29AU22	01	RELEASED	558311