

# TOOL USE INSTRUCTION

<b>RIVIAN</b>	TOOL NUMBER	TSN01775-300
	TITLE	PLUG, COOLANT MANIFOLD, NW16
	REV - DATE	REV # 06/17/26

## CONTENTS

[SAFETY](#)

[OVERVIEW](#)

[INITIAL SETUP](#)

[TOOL USE INSTRUCTION](#)

[MAINTENANCE & STORAGE](#)

[SPARE PARTS](#)

[TROUBLESHOOTING](#)

[SYMBOL GLOSSARY](#)

## TOOL FUNCTION

LOCKING PLUG FOR MALE COOLANT CONNECTIONS. R2 EMCU





**WARNING**

Do not perform procedure if tool is damaged or missing parts. Consult the Rivian Service Tool Catalog for replacement components.

Failure to follow guidelines outlined in this document could result in injury and/or property damage.

**SAFETY GUIDELINES**

1	<b>PPE REQUIRED</b> <ul style="list-style-type: none"> <li>● eye protection</li> <li>● gloves</li> </ul>	
2	Risk of Pinch Point <ul style="list-style-type: none"> <li>● keep hands and fingers clear of all moving parts.</li> </ul>	



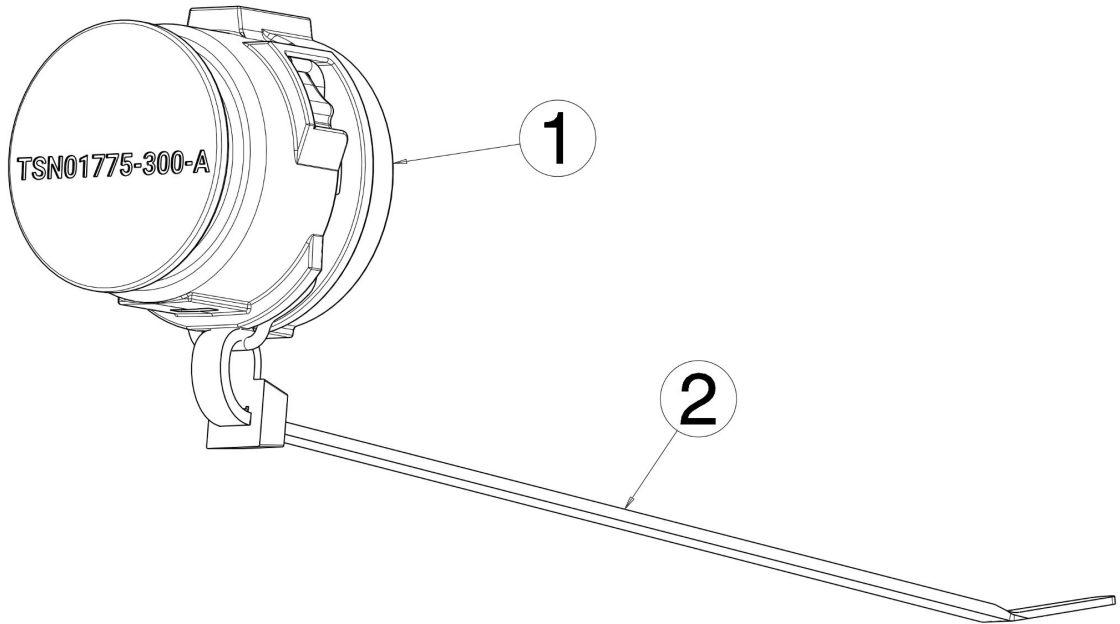
**SPECIFICATIONS**

Weight: 0.025kg

Overall Dimensions: 35mm x 40mm x 190mm

**LABOR CODES**

306510010 - Module, Control, Energy Management, HV Battery (Remove and Replace)



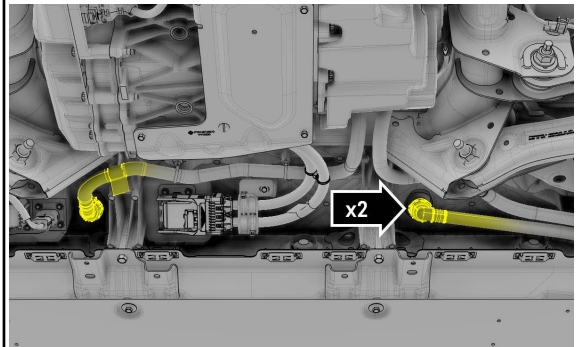
**COMPONENT GUIDE**

ITEM	QTY	RIVIAN TOOL ID	DESCRIPTION
1	1	TSN01775-200-A	NW16 CAP
2	1	PRD32821781	YELLOW ZIP TIE



1

Begin following steps for Labor Code : 306510010. The coolant caps are used after the coolant hoses are removed in step 6.

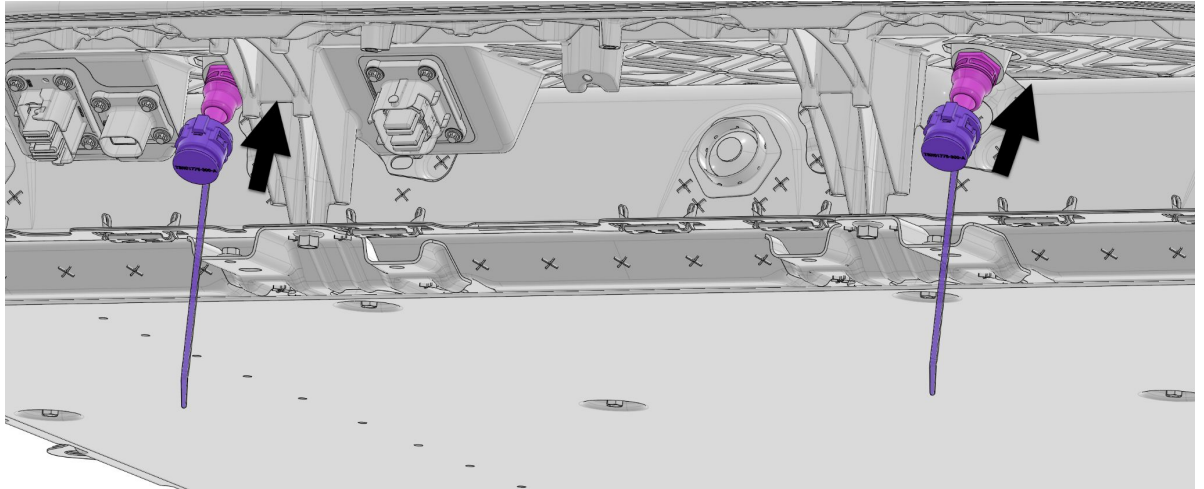


**NOTE : DO NOT PULL THE HVDB WITHOUT SECURING CAPS ONTO THE MANIFOLDS. THIS WILL RISK GETTING COOLANT INTO THE POWERHOUSE AND RESULT IN A LOT OF EXTRA WORK TO CLEAN IT OUT.**



Once the coolant hoses are removed from the EMCU, connect the NW16 coolant manifold plugs to the coolant manifolds on the EMCU.

1



2

Make sure the retainer clip snaps back into the closed position, locking the plug onto the manifold. Test the retention by pulling on the plug body to ensure it will not come off.



3

Wipe away any remaining coolant in the area to ensure none is transferred inside the powerhouse.

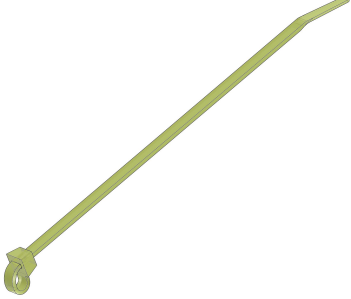


<b>TASK</b>	<b>FREQUENCY</b>
Inspect the plug for any damage to the clip, o-ring or body that might prevent it from sealing properly.	Before Each Use
Return the plugs to their storage area.	After Each Use



**SPARE PARTS****TSN01775-300 PLUG, COOLANT MANIFOLD, NW16**

FOR OTHER ITEMS NOT SHOWN, CONTACT RIVIAN SERVICE TOOL ENGINEERING

ITEM	DESCRIPTION	SUPPLIER + PART NUMBER	PHOTO
1	YELLOW ZIP-TIE	MCMASTER-CARR PN - 71295K143	 A photograph of a single yellow zip-tie fastener, oriented diagonally from the bottom-left to the top-right. The fastener has a standard ratchet head and a long, tapered tail.



PROBLEM	SOLUTION
Plug will not clip onto the manifold	check the inside of the plug for obstructions or damage.





**DANGER**

Risk of electrocution or electric shock



**WARNING**

Risk of minor injury



**DANGER**

Risk of major injury such as

- fire
- chemical or poison
- crushing / maiming
- death



**CAUTION**

Risk of

- damage to vehicle or property
- data disruption
- voiding warranty



**CAUTION**

Risk of Pinch Point

- keep hands and fingers clear of all moving parts.



**PPE REQUIRED**

**IMPORTANT**

Instructions to successfully complete a task

**NOTE**

Useful information

REV	DATE	CHANGE DESCRIPTION
1	06/17/2026	Initial release

