

INSTALLATION INSTRUCTIONS FOR LOCATOR TARGETS (KIT-LT)

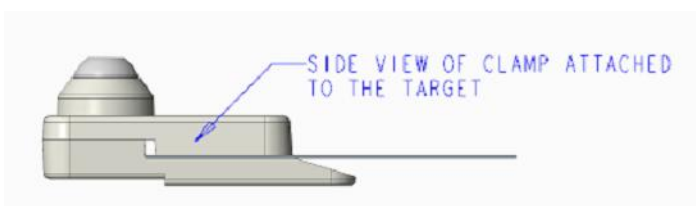
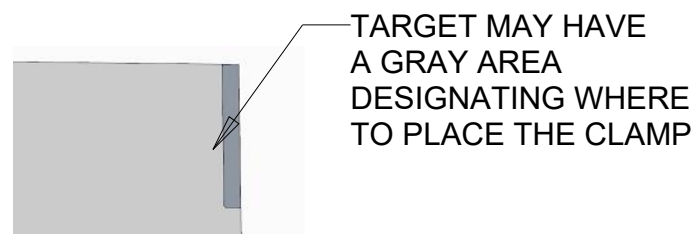
RELEASE DATE: JULY 2022

GENERAL OVERVIEW:

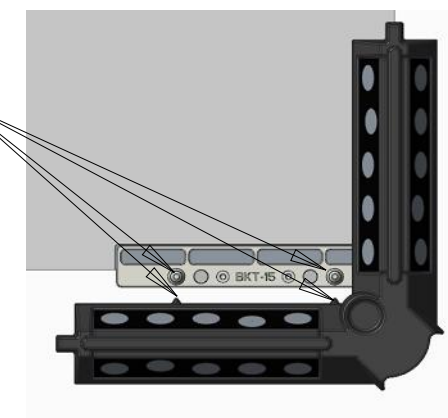
THESE INSTRUCTIONS WILL SHOW A QUICK SET UP OF THE KIT-LT

1. KIT INCLUDES 4 SETS OF CLAMPS (BKT-15) THAT MUST BE INSTALLED ONTO THE 360 VIEW TARGETS, IT ALSO INCLUDES A SET OF LOCATING TARGETS (TGT-05) USED FOR SETTING THE LOCATION OF THE 360 VIEW TARGETS.
2. THE CLAMPS MUST BE INSTALLED ONTO THE TARGETS FIRST, THIS IS A ONE-TIME PROCEDURE.
3. ONCE THE CLAMPS ARE ATTACHED, THE 360 VIEW TARGETS CAN BE PLACED NEXT TO THE VEHICLE PER INSTRUCTIONS, ONCE IN THE APPROXIMATE LOCATION ADD THE LOCATING TARGETS TO THE CLAMPS AND CALIBRATE PER TRU-POINT INSTRUCTIONS.
4. REFER TO USER GUIDE FOR ANY AND ALL INFORMATION.

GENERAL VIEW

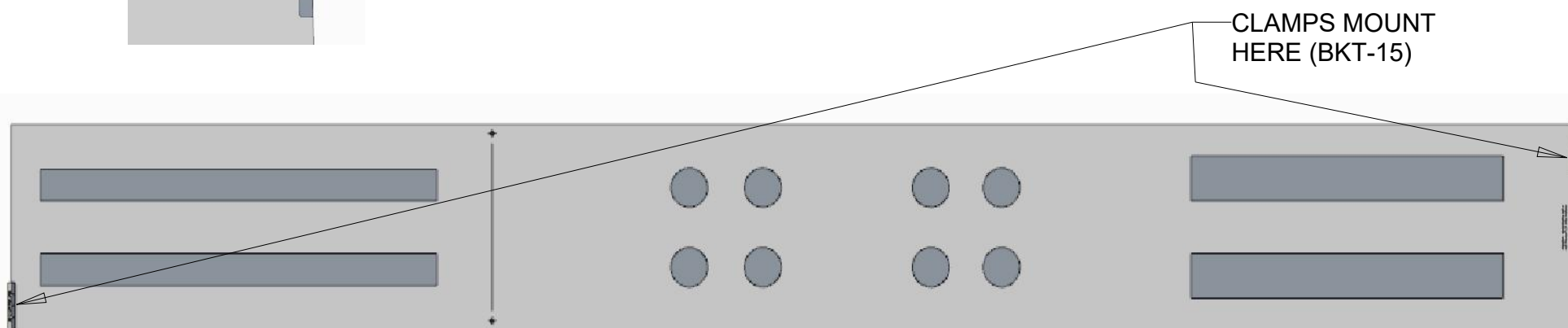
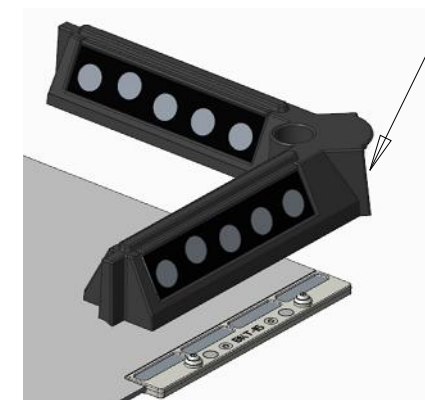


ALIGN ARROWS OF TGT-05 TO PINS OF BKT-15



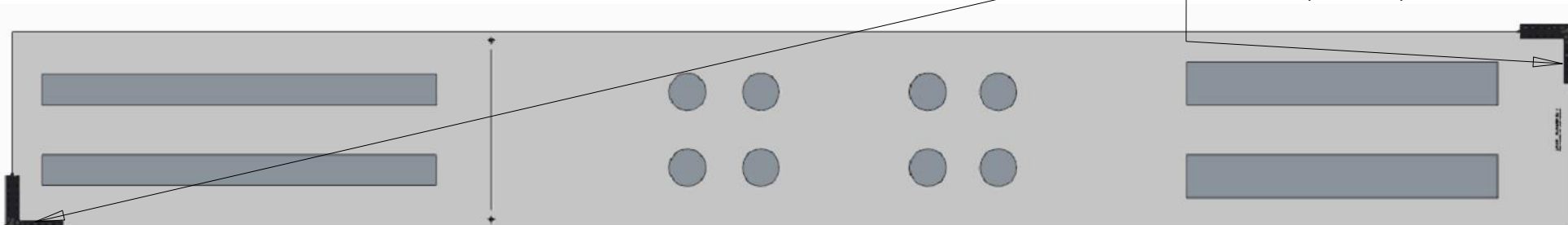
ALIGN CLAMP TO EDGE OF TARGET

PLACE TGT-05 OVER BKT-15 AND SET TARGET DOWN ON CLAMP. CLAMP PINS WILL ALIGN ON TARGET BASE AND HOLD IN PLACE MAGNETICALLY.



CLAMPS MOUNT HERE (BKT-15)

FRONT/TOP



TARGETS MOUNT HERE (TGT-05)

GENERIC 360 VIEW TARGETS FOR PICTORIAL REFERENCE