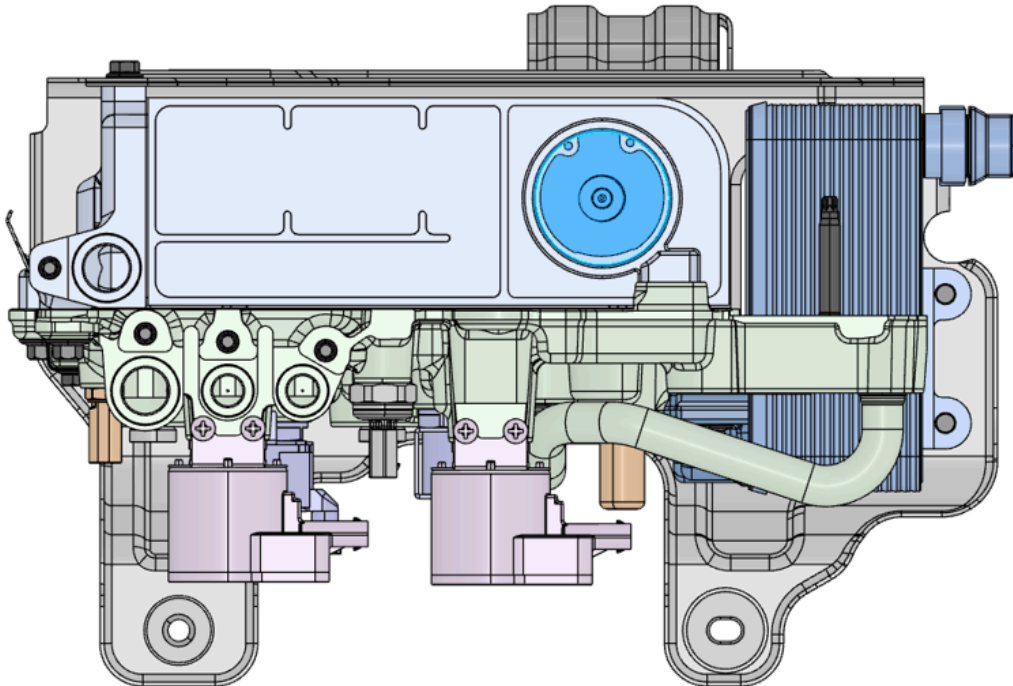


TSN01461-300-A: R1 AC DESICCANT HOUSING REMOVAL TOOL

PURPOSE:

To remove R1 model year 2025+ vehicles' Accumulator Desiccant Housing



LABOR CODE:

TBD

OTHER TOOLS REQUIRED:

TSN00678-100-A: SNAP RING PLIERS 0.090 TIP 90°

PRIOR TO USAGE:

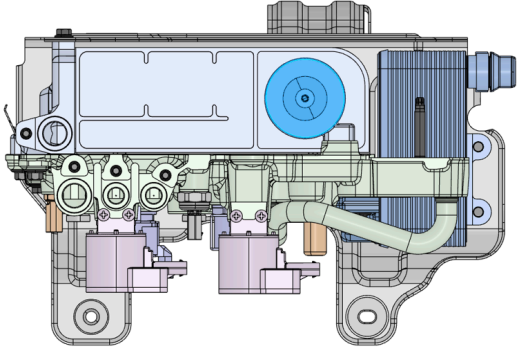
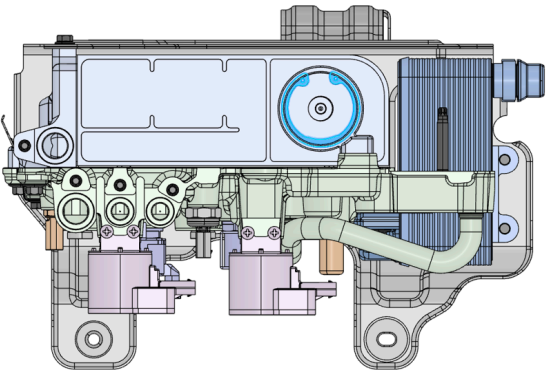


i Visual Inspection and Preparation

1. Perform visual inspection of tool before use.

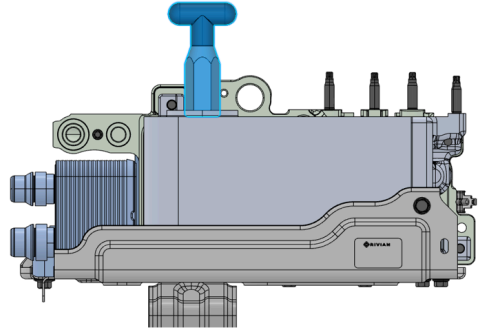
⚠ CAUTION: Do not perform procedure if any equipment is missing or damaged. Contact tooling team with any questions or requests for replacement parts. ServiceToolEngineering@rivian.com

TOOL USAGE:

STEP	DIRECTIONS	VISUAL AID
1	Remove the desiccant dust cover	
2	Remove the snap ring (TSN00678-100-A)	

3

Install tool by threading clockwise onto desiccant bag cover until fully seated



4

Pull on tool to remove desiccant bag

