

# TOOL USE INSTRUCTION

<b>RIVIAN</b>	TOOL NUMBER	TSN01587-300
	TITLE	R2 CAN BREAKOUT - KIT
	REV - DATE	REV 1 - 04/01/2026

## CONTENTS

[OVERVIEW](#)

[SAFETY](#)

[INITIAL SETUP](#)

[TOOL USE INSTRUCTION](#)

[MAINTENANCE & STORAGE](#)

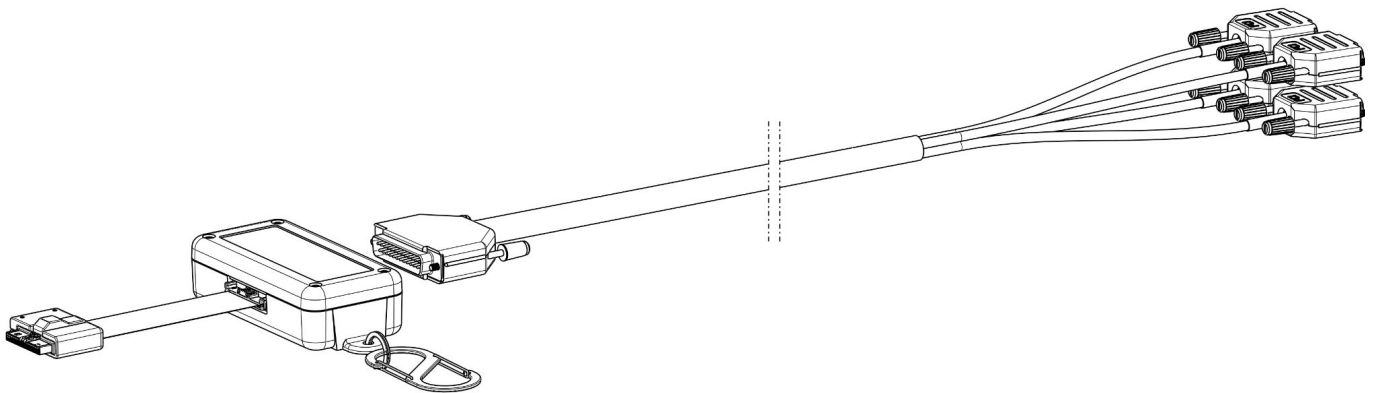
[SERVICE & REPLACEMENT PARTS](#)

[TROUBLESHOOTING](#)

[SYMBOL GLOSSARY](#)

## TOOL FUNCTION

KIT USED TO COMMUNICATE WITH THE R2 CAN BUS



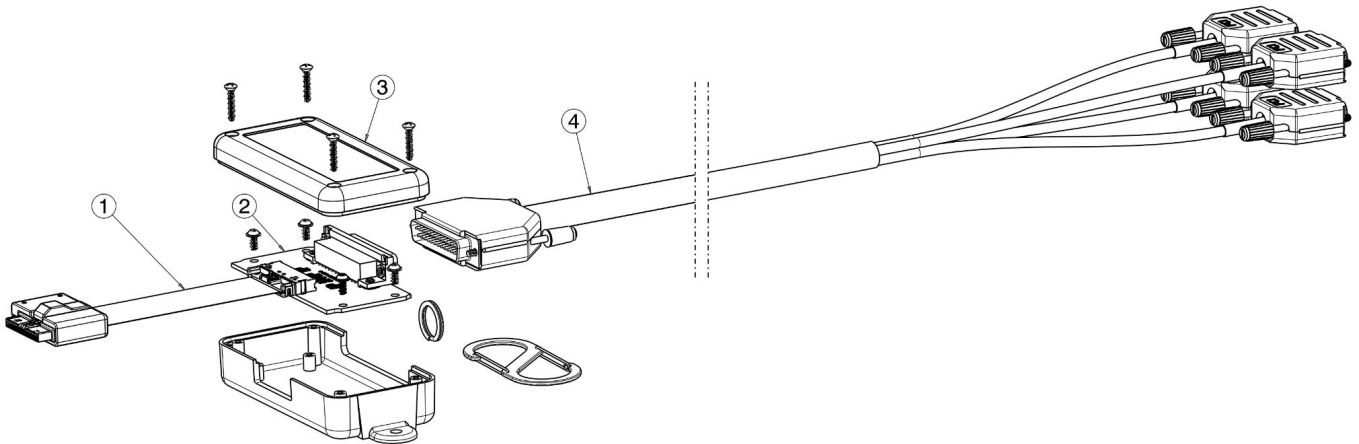
## OVERVIEW

---

### OTHER TOOLS REQUIRED

TSN00354-100: PCAN-USB-FD ADAPTER

TSN00355-100: CAN BUS TERMINATOR, 120ohms



### COMPONENT GUIDE

ITEM	QTY	RIVIAN TOOL ID	DESCRIPTION
1	1	TSN01587-201-A	R2 CAN BREAKOUT - PCB FLEX CABLE
2	1	TSN01587-202-B	R2 CAN BREAKOUT - RIGID PCB
3	1	TSN01587-203-B	R2 CAN BREAKOUT - RIGID PCB ENCLOSURE
4	1	TSN01587-204-A	R2 CAN BREAKOUT - HARNESS





**WARNING**

Do not perform procedure if tool is damaged or missing parts. Consult the Rivian Service Tool Catalog for replacement components.

Failure to follow guidelines outlined in this document could result in injury and/or property damage.

**SAFETY GUIDELINES**

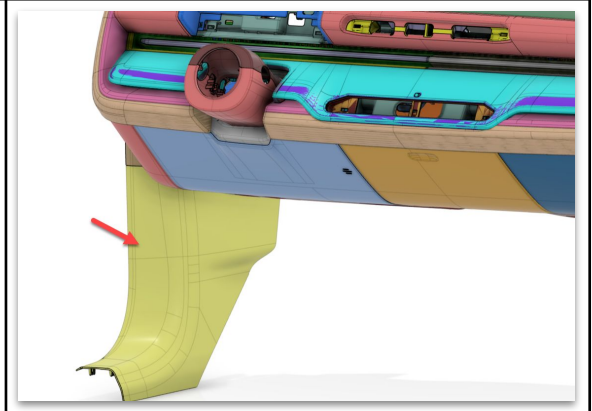
<p><b>1</b></p>	<p>The CAN breakout tool in general and the ribbon cable in particular are delicate tools and care should be taken to not damage them.</p>	
-----------------	--	--

## INITIAL SETUP

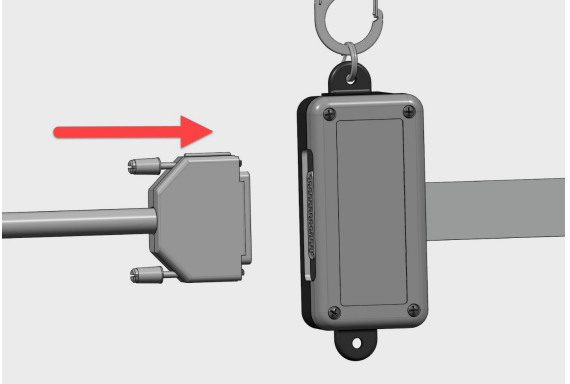
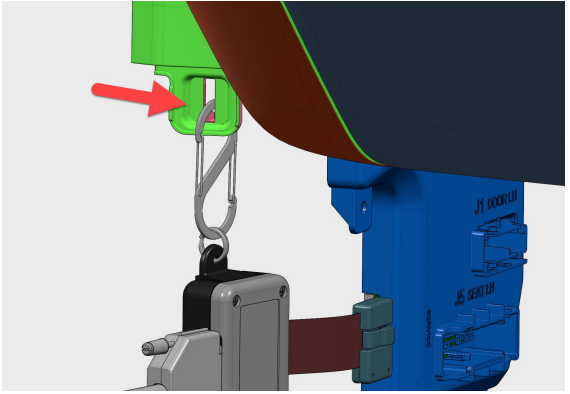
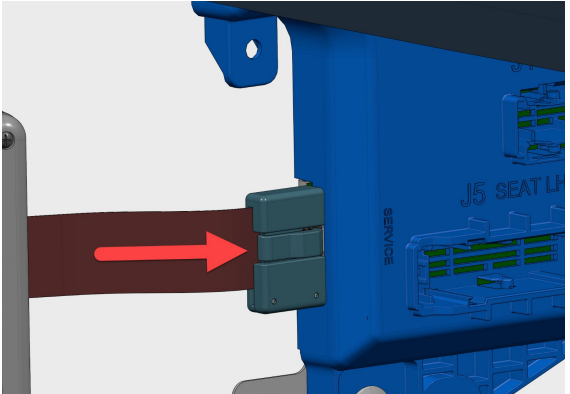
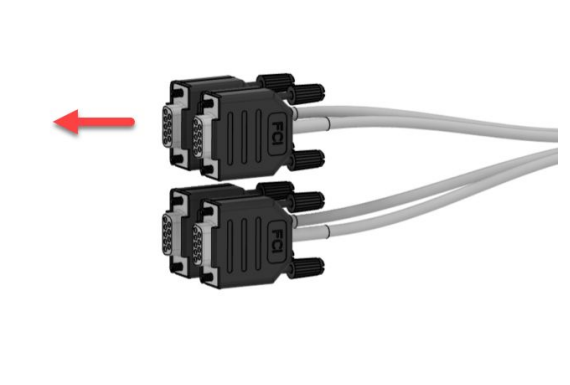
---

1

Vehicle should be in diagnostic mode and the lower driver side kick panel cover should be removed



## TOOL USE INSTRUCTION

1	Remove the CAN breakout kit from the case and connect the harness to the enclosure	 A grey CAN breakout kit with a metal hook is shown next to a grey cable harness. A red arrow points from the harness towards the breakout kit, indicating the connection point.
2	Attach hook to opening for the trim clip in upper trim panel	 A close-up view of a blue trim panel with a green opening. A red arrow points to the opening. A metal hook is shown being inserted into the opening. The hook is attached to the CAN breakout kit.
3	Insert ribbon cable connector into the service port on the WEST ZONE CONTROLLER service port	 A close-up view of a blue WEST ZONE CONTROLLER service port. A red arrow points to the port. A brown ribbon cable connector is shown being inserted into the port. The connector is attached to the CAN breakout kit.
4	Connect the appropriate DB9 output to the CAN reader	 A close-up view of two DB9 connectors. A red arrow points to the top connector, which is labeled 'FD'. The connectors are attached to the CAN breakout kit.

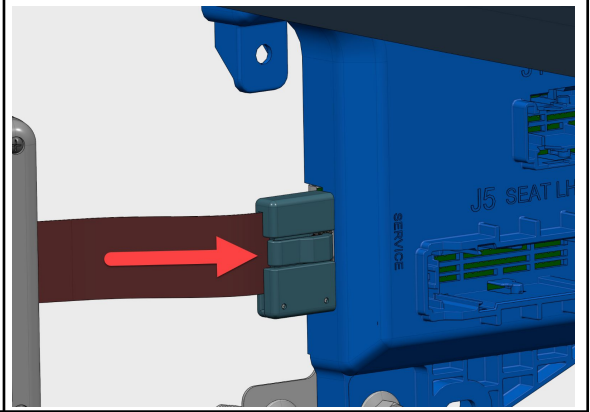


## TOOL USE INSTRUCTION

---

5

To remove the ribbon cable from the service port, depress the connector and carefully pull the cable away from the west zone controller.



**BASIC MAINTENANCE GUIDE**

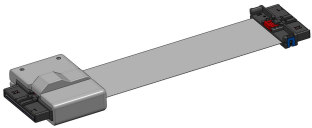
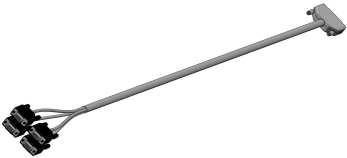
<b>TASK</b>	<b>FREQUENCY</b>
Check the tool for any damage to the enclosure, ribbon cable or harness.	Before Each Use
Disconnect the harness from the enclosure and place all components back in the storage case	After Each Use



## SERVICE & REPLACEMENT COMPONENTS

---

FOR OTHER ITEMS NOT SHOWN, CONTACT RIVIAN SERVICE TOOL ENGINEERING

ITEM	DESCRIPTION	PART NUMBER	PHOTO
1	R2 CAN BREAKOUT - PCB FLEX CABLE	TSN01587-201-A	 A photograph of a flat, grey PCB flex cable. One end has a large, grey, rectangular connector housing with a red and black pin. The other end has a smaller, black, multi-pin connector.
2	R2 CAN BREAKOUT - HARNESS	TSN01587-204-A	 A photograph of a long, thin, grey cable harness. It has a single connector at one end and a multi-pin connector at the other end.



## TROUBLESHOOTING

---

PROBLEM	SOLUTION
No signal	<ul style="list-style-type: none"><li>- ensure all connectors are firmly mated</li><li>- check the ribbon cable for any damage (this could be bending or wear on the contact areas)</li></ul>





**DANGER**

Risk of electrocution or electric shock



**WARNING**

Risk of minor injury



**DANGER**

Risk of major injury such as

- fire
- chemical or poison
- crushing / maiming
- death



**CAUTION**

Risk of

- damage to vehicle or property
- data disruption
- voiding warranty



**CAUTION**

Risk of Pinch Point

- keep hands and fingers clear of all moving parts.



**PPE REQUIRED**

**IMPORTANT**

Instructions to successfully complete a task

**NOTE**

Useful information

**REVISION LOG**

REV	DATE	CHANGE DESCRIPTION
1	04/01/2026	Initial release

