

TOOL USE INSTRUCTION

RIVIAN	TOOL NUMBER	TSN01626-300
	TITLE	OUTPUT SEAL REMOVAL TOOLKIT - MAXIMUS
	REV - DATE	REV A - 2/18/2026

CONTENTS

[OVERVIEW](#)

[SAFETY](#)

[INITIAL SETUP](#)

[TOOL USE INSTRUCTION](#)

[MAINTENANCE & STORAGE](#)

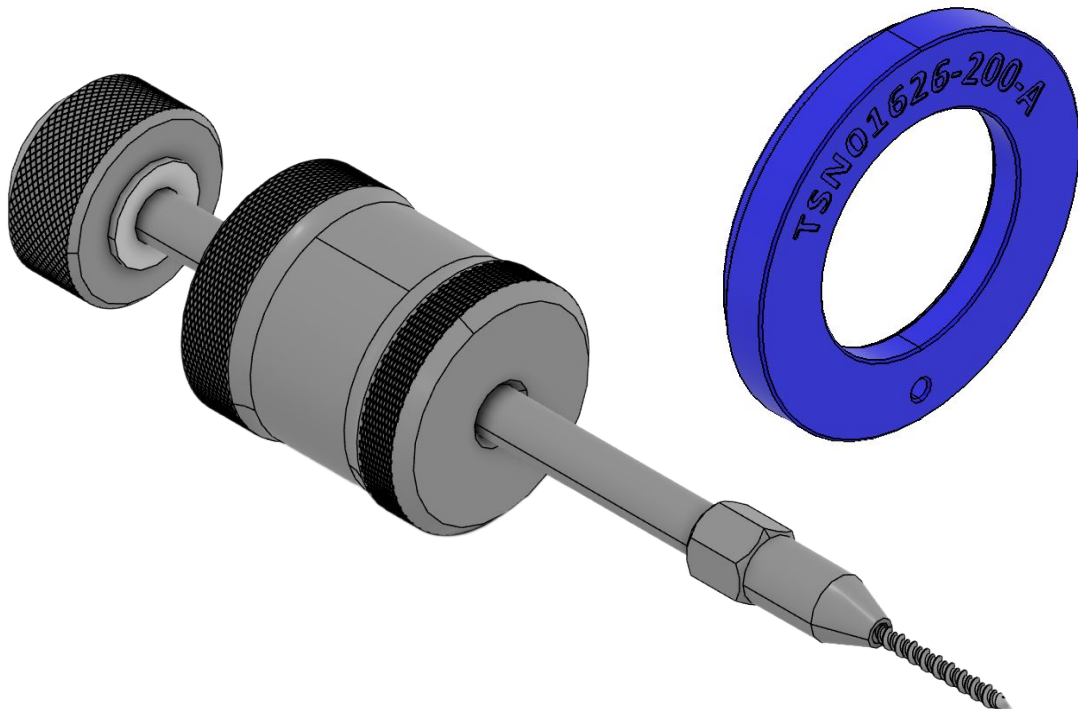
[SERVICE & REPLACEMENT PARTS](#)

[TROUBLESHOOTING](#)

[SYMBOL GLOSSARY](#)

TOOL FUNCTION

Remove output seals in Maximus drive unit



OVERVIEW

SPECIFICATIONS

Weight: .77 Kg

Overall Dimensions: 213mm x 45mm

LABOR CODES

TBD - Seal, Output, Front Drive Unit, LH (Remove and Replace)

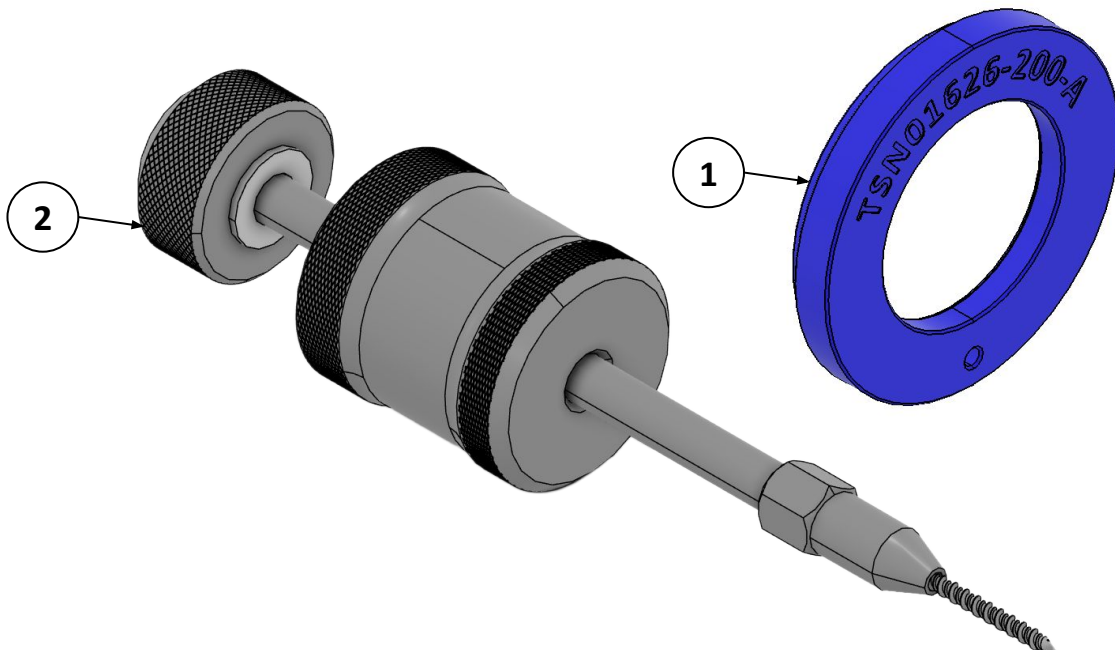
TBD - Seal, Output, Front Drive Unit, RH (Remove and Replace)

TBD - Seal, Output, Rear Drive Unit, LH (Remove and Replace)

TBD - Seal, Output, Rear Drive Unit, RH (Remove and Replace)

OTHER TOOLS REQUIRED

TSN00270-100-A - Hammer, 32oz.



COMPONENT GUIDE

ITEM	QTY	TOOL ID (RIVIAN/SUPPLIER)	DESCRIPTION
1	1	TSN01626-200-A	MAXIMUS LINK SHAFT OUTPUT SEAL REMOVAL - ALIGNMENT JIG
2	1	TSN01626-201-A	RIVIAN - OIL SEAL EXTRACTOR KIT






WARNING

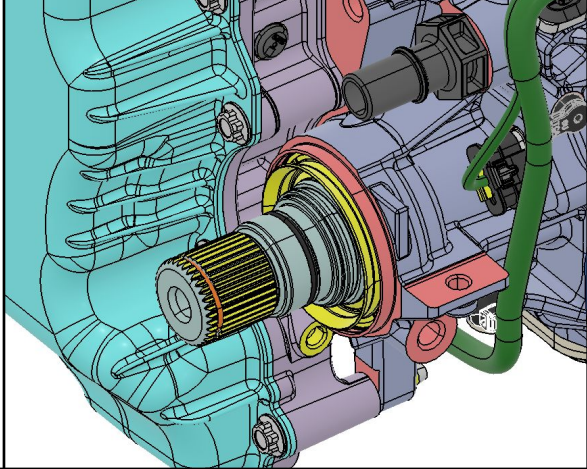
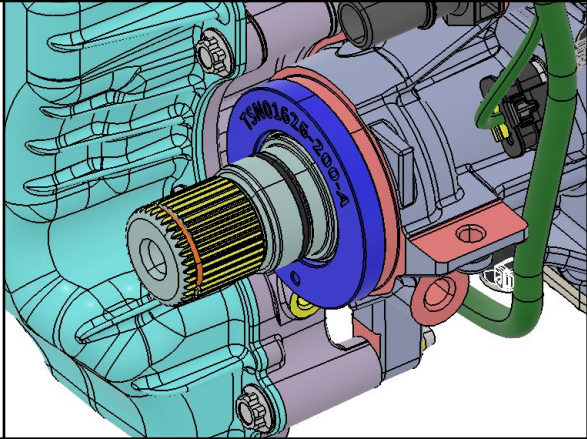
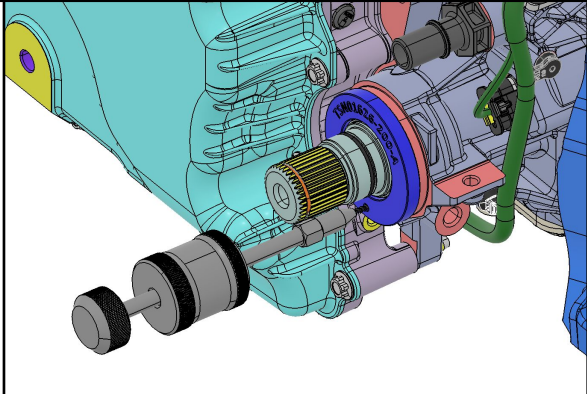
Do not perform procedure if tool is damaged or missing parts. Consult the Rivian Service Tool Catalog for replacement components.

Failure to follow guidelines outlined in this document could result in injury and/or property damage.

SAFETY GUIDELINES

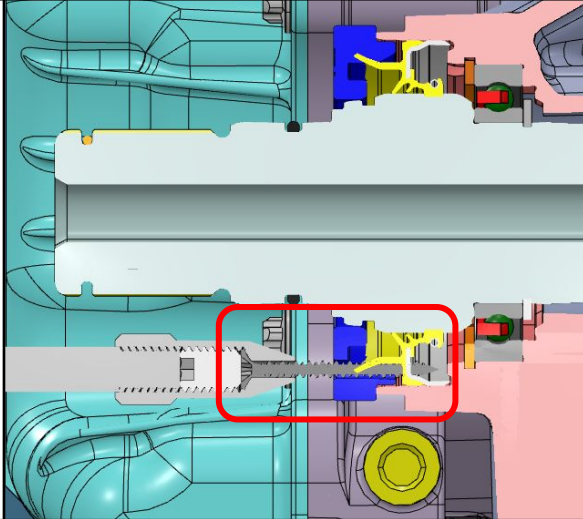
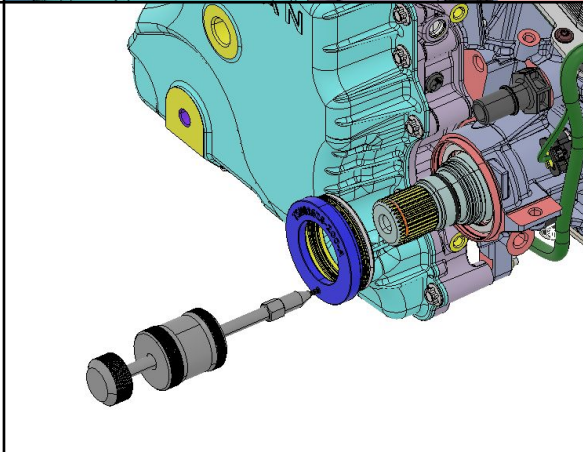
1	Risk of minor injury when using a hammer.	
2	Risk of damage to vehicle or property.	
3	<p>PPE REQUIRED</p> <ul style="list-style-type: none">● eye protection● closed toe shoes● gloves	

TOOL USE INSTRUCTION

<p>1</p>	<p>Remove the slinger from the drive unit to expose the seal.</p>	 A 3D cutaway diagram of a drive unit. A yellow slinger is being removed from a central shaft. The shaft has a yellow seal. A red bracket is visible on the right side of the unit.
<p>2</p>	<p>Place MAXIMUS LINK SHAFT OUTPUT SEAL REMOVAL - ALIGNMENT JIG over the link shaft and onto the drive unit making sure it is fully seated.</p>	 A 3D cutaway diagram of the drive unit. A blue alignment jig with the part number '15M01626-200-A' is placed over the central shaft. The yellow seal is visible through the center of the jig.
<p>3</p>	<p>Insert RIVIAN - OIL SEAL EXTRACTOR KIT so that the screw fits into the hole in MAXIMUS LINK SHAFT OUTPUT SEAL REMOVAL - ALIGNMENT JIG and bottoms out on the seal.</p>	 A 3D cutaway diagram of the drive unit. A grey screwdriver-like tool is inserted into the hole in the blue alignment jig. The tool's tip is in contact with the yellow seal.



TOOL USE INSTRUCTION

4	<p>Strike the rear handle of RIVIAN - OIL SEAL EXTRACTOR KIT with the Hammer, 32oz until you feel the screw penetrate the seal. Screw the RIVIAN - OIL SEAL EXTRACTOR KIT clockwise into the oil seal a few threads.</p>	 A technical cutaway diagram of an engine's oil seal area. A screwdriver-like tool is inserted into the seal. A red rectangular box highlights the point where the tool's tip is penetrating the seal. The surrounding engine components are shown in various colors like cyan, blue, and yellow.
5	<p>Using the slide hammer, strike the hammer against the rear handle to remove the oil seal.</p>	 A 3D perspective diagram showing a slide hammer tool being used to pull an oil seal out of an engine. The slide hammer consists of a long handle with a sliding weight. The weight is currently positioned over the rear handle of the oil seal extractor kit, which is still attached to the engine. The engine block is shown in cyan and yellow.



BASIC MAINTENANCE GUIDE

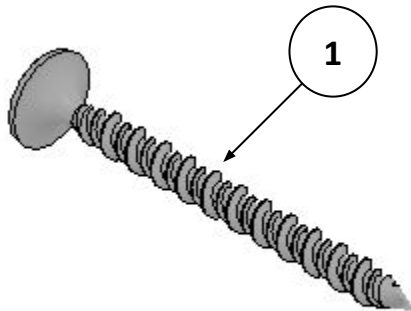
TASK	FREQUENCY
Check screw for damage.	Before Each Use
Return to storage cabinet	After Each Use



SERVICE & REPLACEMENT COMPONENTS

FOR OTHER ITEMS NOT SHOWN, CONTACT RIVIAN SERVICE TOOL ENGINEERING

ITEM	DESCRIPTION	SUPPLIER + PART NUMBER
1	#6 x 1-5/8 in. #2 PHILLIPS BUGLE HEAD COARSE THREAD DRYWALL SCREW	TSN01626-203-A



TROUBLESHOOTING

PROBLEM	SOLUTION
Screw is bent or broken.	Replace screw
Screw is not grabbing the seal.	Make sure the screw is fully penetrated through the seal and screwed in a couple of threads. If it is still not grabbing, rotate the MAXIMUS LINK SHAFT OUTPUT SEAL REMOVAL - ALIGNMENT JIG and try removing in a new location.





DANGER

Risk of electrocution or electric shock



WARNING

Risk of minor injury



DANGER

Risk of major injury such as

- fire
- chemical or poison
- crushing / maiming
- death



CAUTION

Risk of

- damage to vehicle or property
- data disruption
- voiding warranty



CAUTION

Risk of Pinch Point

- keep hands and fingers clear of all moving parts.



PPE REQUIRED

IMPORTANT

Instructions to successfully complete a task

NOTE

Useful information

REVISION LOG

REV	DATE	CHANGE DESCRIPTION
A	2/18/2026	Initial release

