

# TOOL USE INSTRUCTION

<b>RIVIAN</b>	TOOL NUMBER	TSN01670-300
	TITLE	FRUNK SUPPORT - R2
	REV - DATE	REV 1 - 12/8/2025

## CONTENTS

[OVERVIEW](#)

[SAFETY](#)

[INITIAL SETUP](#)

[TOOL USE INSTRUCTION](#)

[MAINTENANCE & STORAGE](#)

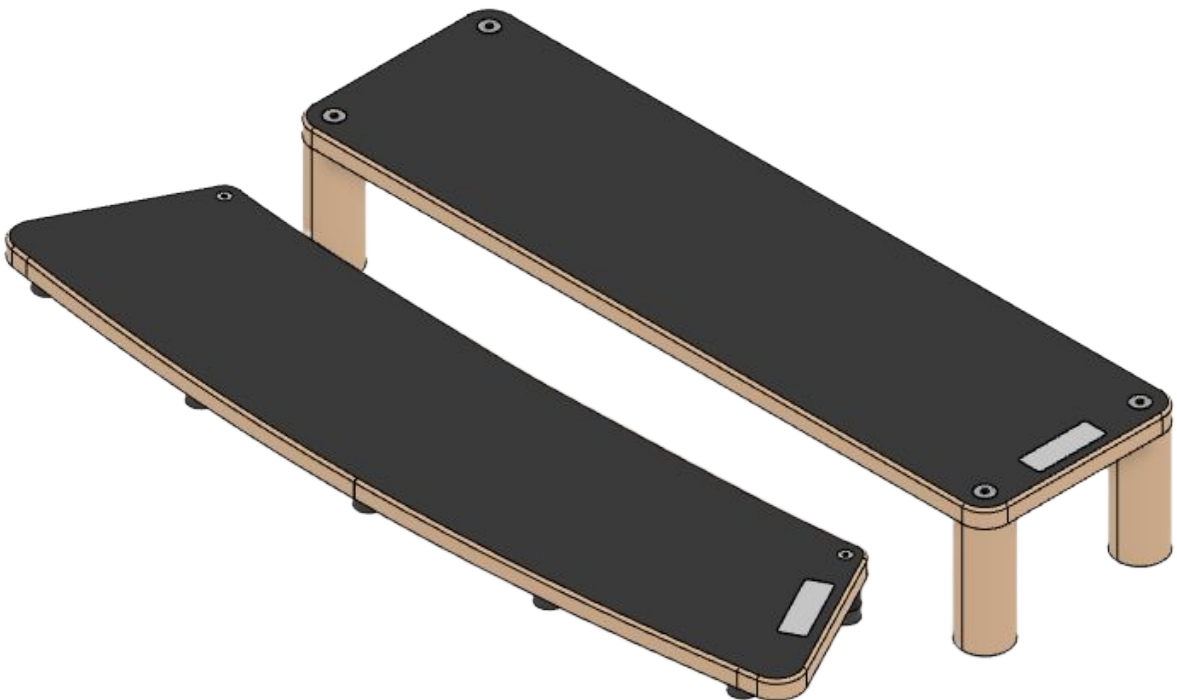
[SERVICE & REPLACEMENT PARTS](#)

[TROUBLESHOOTING](#)

[SYMBOL GLOSSARY](#)

## TOOL FUNCTION

ALLOWS TECHNICIAN TO COMFORTABLY WORK INSIDE OF THE R2 FRUNK.



## OVERVIEW

---

### SPECIFICATIONS

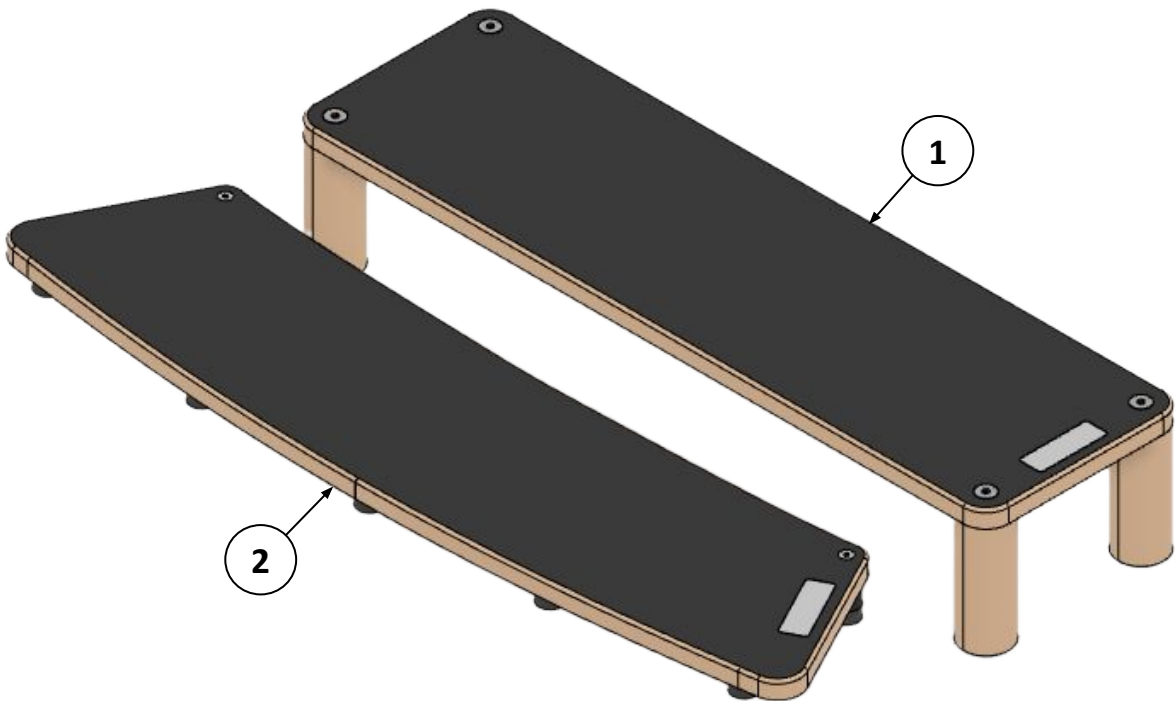
Weight: ITEM 1 4.5lbs, ITEM 2 4.0lbs

Load Rating: N/A

Voltage Rating: N/A

### OTHER TOOLS REQUIRED

N/A



### COMPONENT GUIDE

ITEM	QTY	TOOL ID (RIVIAN/SUPPLIER)	DESCRIPTION
1	2	TSN01670-200-A	LOWER FRUNK SUPPORT - R2
2	2	TSN01670-201-A	UPPER FRUNK SUPPORT - R2






**WARNING**

Do not perform procedure if tool is damaged or missing parts. Consult the Rivian Service Tool Catalog for replacement components.


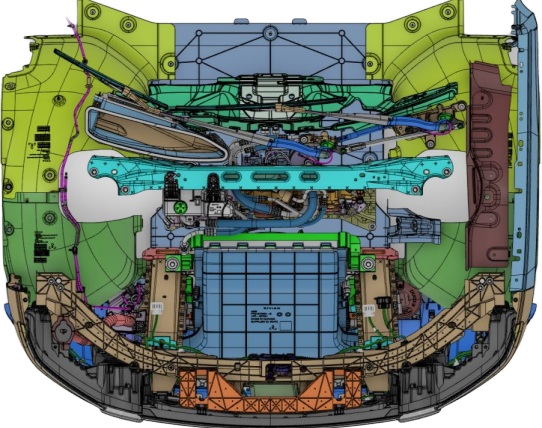
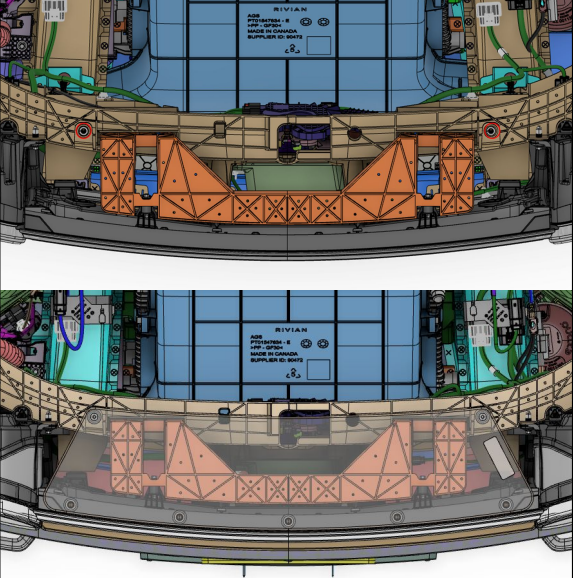
Failure to follow guidelines outlined in this document could result in injury and/or property damage.

**SAFETY GUIDELINES**

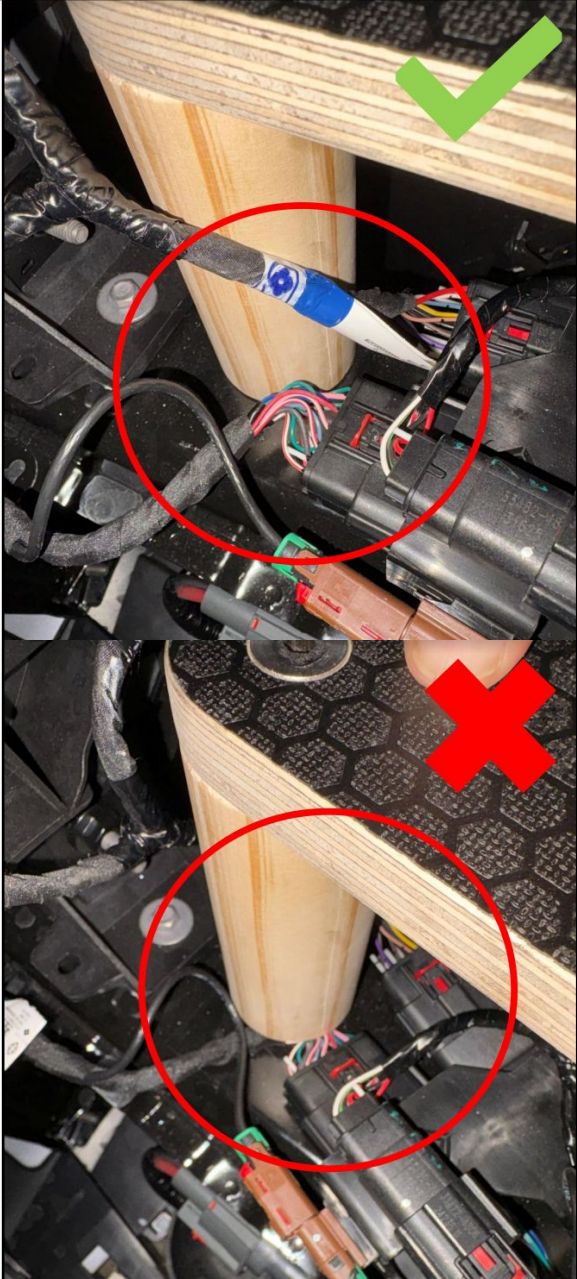
1	Wear proper PPE when using tool. <ul style="list-style-type: none"><li>● Eye Protection</li></ul>	
---	---	---



# INITIAL SETUP

Step	Directions	Visual Aid
1	Assemble the legs on LOWER FRUNK SUPPORT - R2 so that the legs with the dowels face forward in this view and the ID tag is on the left side.	
2	Remove the inner frunk compartment and trim.	
3	The upper support gets placed on top of the core support with the back legs sitting directly over the two threaded holes (circled in red).	



Step	Directions	Visual Aid
4	<p>The lower support sits on the two frame rails.</p> <p><b>⚠️ NOTE:</b> make sure that any body harnesses are moved out of the way so that they are not pinched.</p>	 <p>The visual aid consists of two photographs. The top photograph shows a wooden support structure being placed on two metal frame rails. A blue and white marker is used to point to the contact point, and a large green checkmark is in the upper right corner. The bottom photograph shows the same support structure being placed on a black keyboard. A red 'X' is in the upper right corner, indicating this is an incorrect placement. Both photos have a red circle highlighting the support's base.</p>



Step	Directions	Visual Aid
5	<p>Line up the two legs with the dowels so that the dowels fit into the two slotted holes on the frame rails (circled in red).</p>	
6	<p>With both supports in place.</p>	



**BASIC MAINTENANCE GUIDE**

<b>TASK</b>	<b>FREQUENCY</b>
Visually inspect tool for any damage or broken pieces (replace immediately)	Prior to Tool Usage
Return tool back to its proper storage location	After Each Use



## SERVICE & REPLACEMENT COMPONENTS

---

*FOR OTHER ITEMS NOT SHOWN, CONTACT RIVIAN SERVICE TOOL ENGINEERING*

ITEM	DESCRIPTION	SUPPLIER + PART NUMBER
1		



## TROUBLESHOOTING

---

PROBLEM	SOLUTION



## SYMBOL GLOSSARY

---



### NOTICE

PPE required



### WARNING

Risk of minor injury

## REVISION LOG

---

REV	DATE	CHANGE DESCRIPTION
1	12/8/2025	Initial release

