

TOOL USE INSTRUCTION

RIVIAN

TOOL NUMBER	TSN01784-300
TITLE	KIT, DRILL JIG, HVAC CASE
REV - DATE	REV 1 06/23/26

CONTENTS

[SAFETY](#)

[OVERVIEW](#)

[TOOL CONFIGURATIONS](#)

[INITIAL SETUP](#)

[TOOL USE INSTRUCTION](#)

[MAINTENANCE & STORAGE](#)

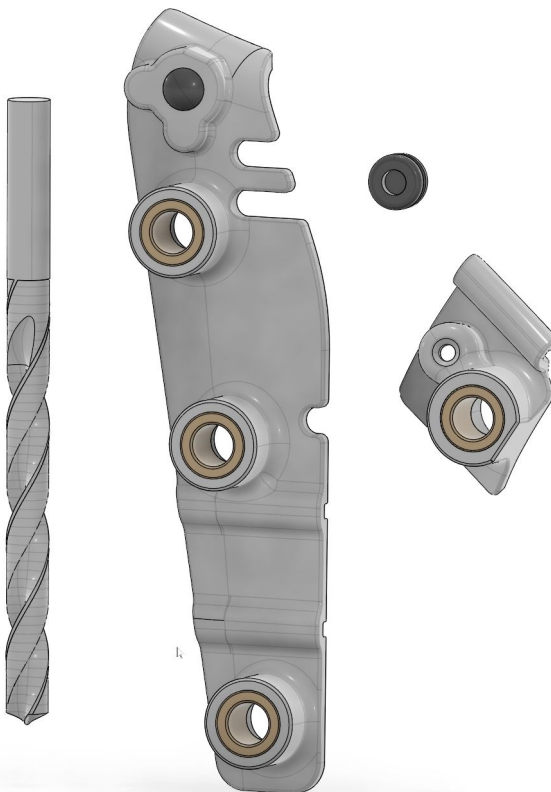
[SPARE PARTS](#)

[TROUBLESHOOTING](#)

[SYMBOL GLOSSARY](#)

TOOL FUNCTION

DRILL JIG KIT FOR R1 HVAC BOX MODIFICATION TO APPLY CLEANING AGENT






**WARNING**

Do not perform procedure if tool is damaged or missing parts. Consult the Rivian Service Tool Catalog for replacement components.

Failure to follow guidelines outlined in this document could result in injury and/or property damage.

SAFETY GUIDELINES

1	PPE REQUIRED <ul style="list-style-type: none"> ● eye protection ● gloves 	
2	WARNING Risk of minor injury	
3	CAUTION Risk of damage to vehicle or property	



SPECIFICATIONS

Weight: 0.25kg

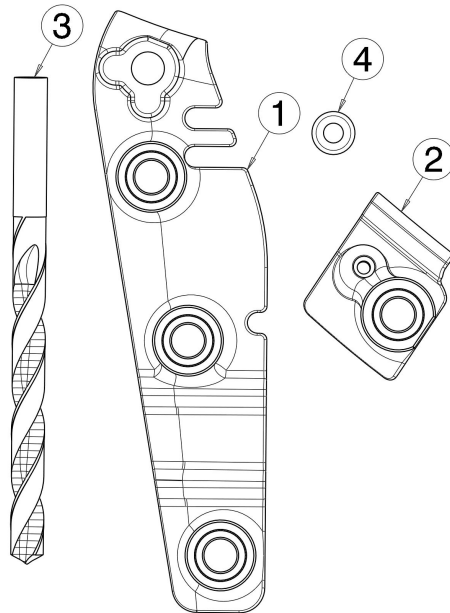
Overall Dimensions: 230mm x 130mm x 35mm

LABOR CODES

RiDE Node ID - 111491 R1 HVAC Odor

OTHER TOOLS REQUIRED

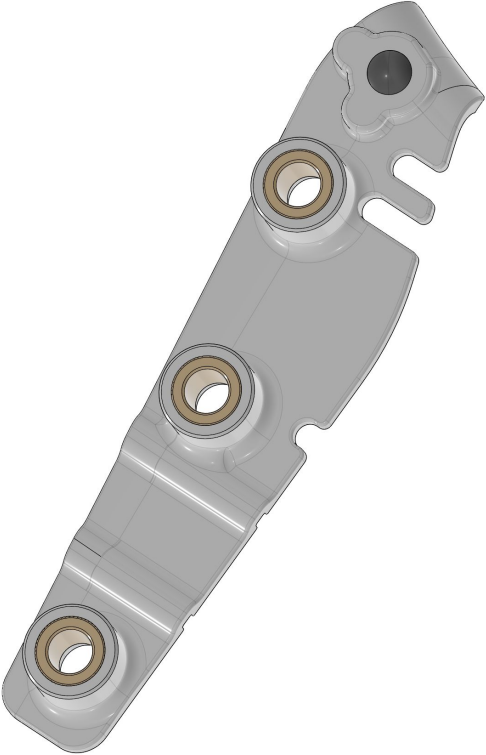
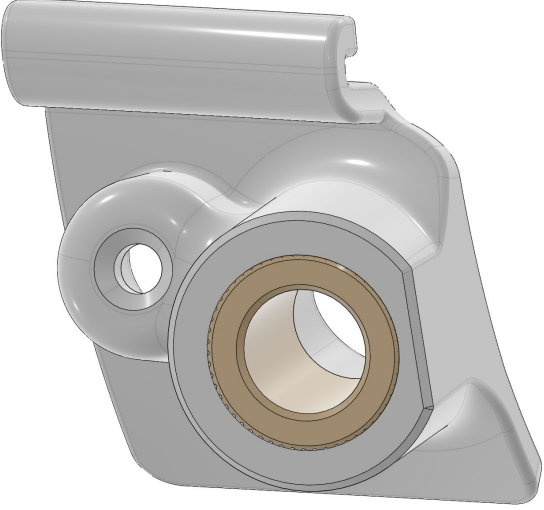
TSN00340-101-A - M18 FUEL 1/2" DRILL DRIVER



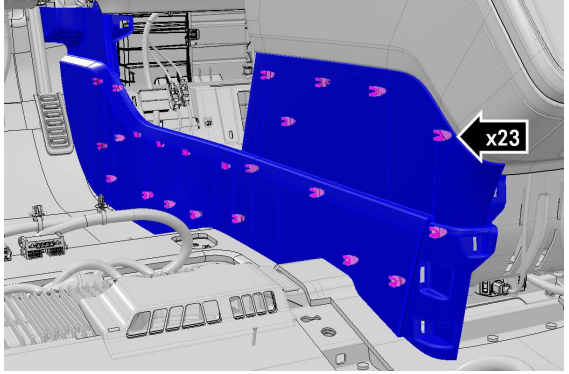
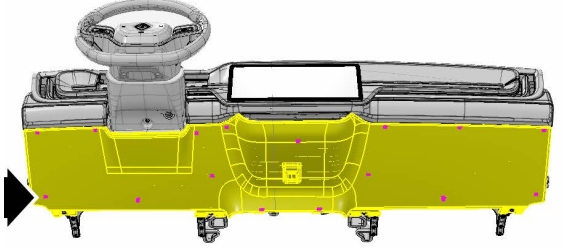
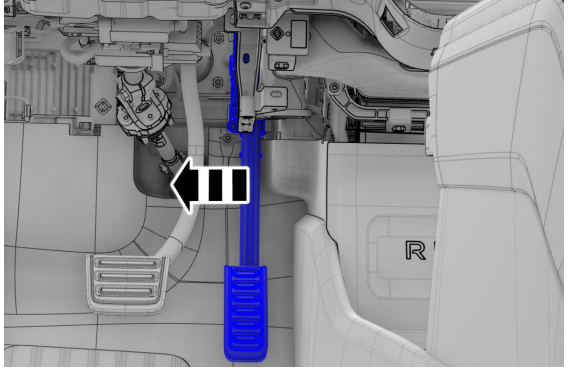
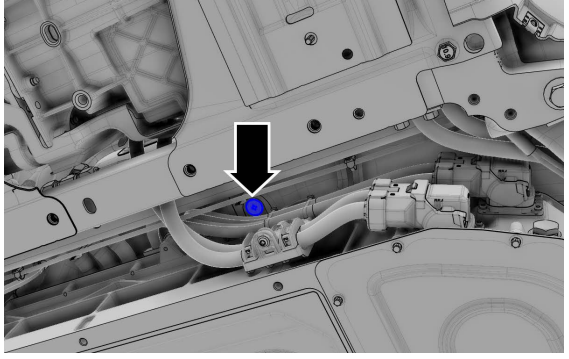
COMPONENT GUIDE

ITEM	QTY	RIVIAN TOOL ID	DESCRIPTION
1	1	TSN01784-200-A	HVAC EVAP CORE DRILL JIG - R1 GEN 1
2	1	TSN01784-201-A	HVAC EVAP CORE DRILL JIG - R1 GEN 2
3	1	prd32885427	DRILL BIT - 0.3125 INCH JOBBER LENGTH HSS
4	20	PT01810257-A	GROMMET - 0.3125 INCH CUT TO SIZE

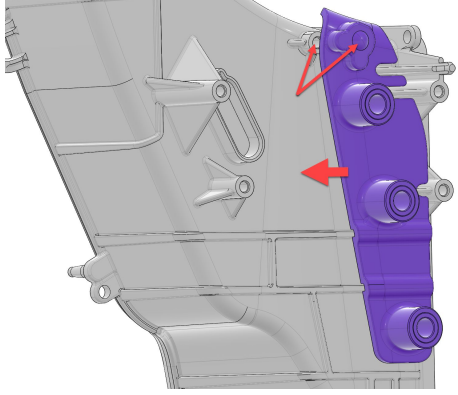
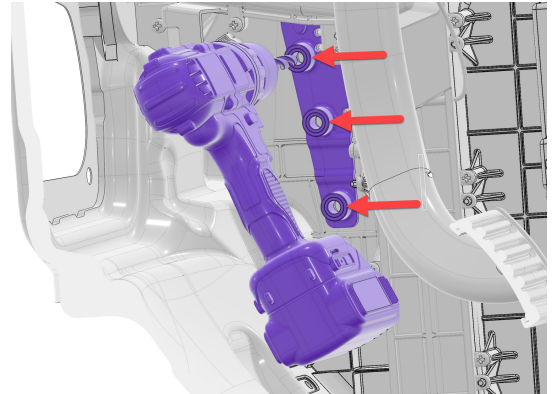
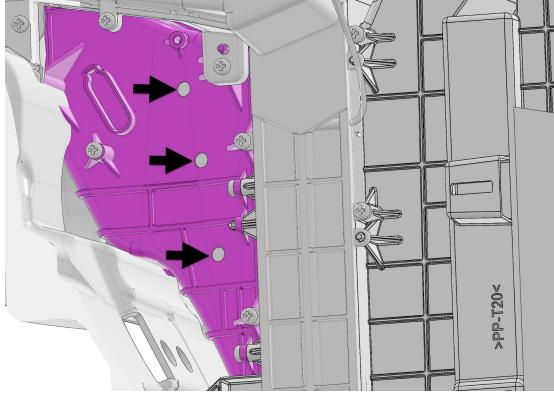
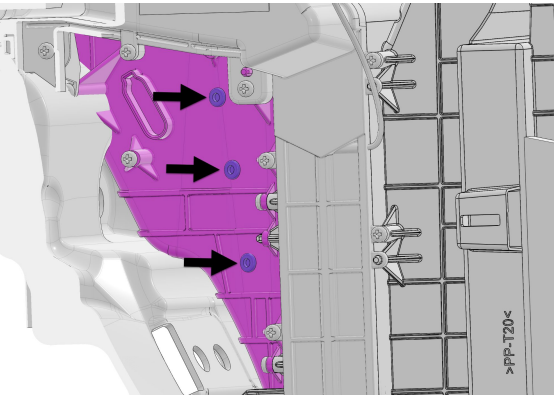


TOOL CONFIGURATION	VEHICLE CONFIGURATION
	<p>R1T/S GEN 1</p>
	<p>R1T/S GEN 2</p>

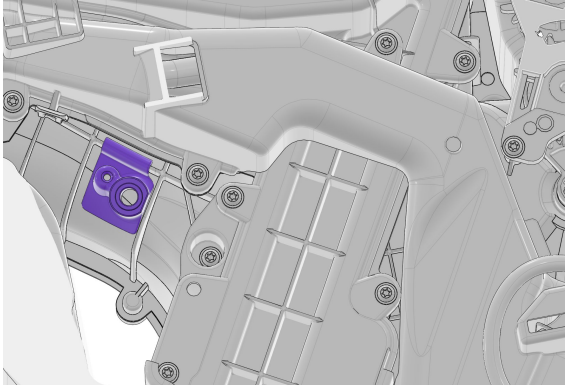
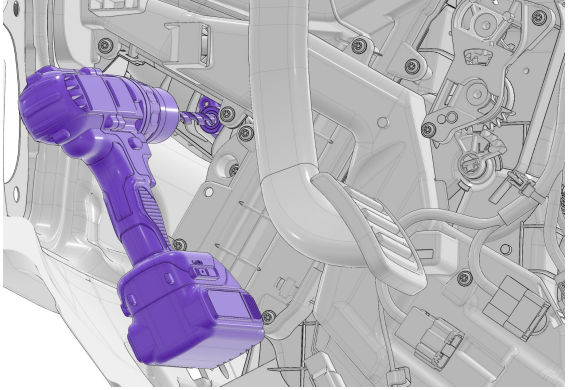
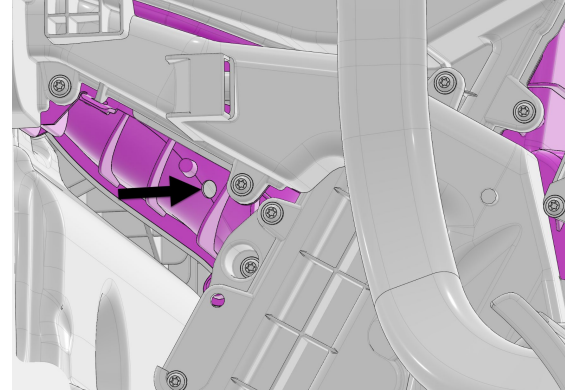
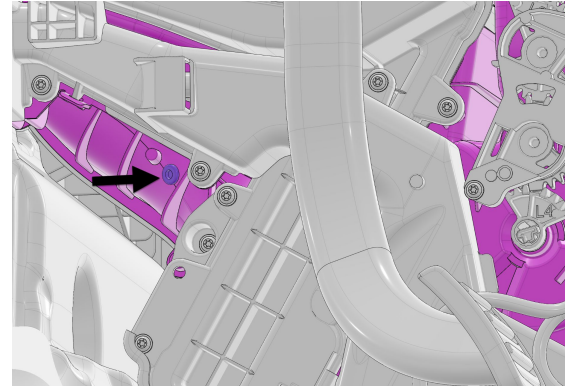


<p>1</p>	<p>Perform Trim Panel, Center Console, Lower, LH (Remove) - 643726010</p>	
<p>2</p>	<p>Perform Cover, Instrument Panel, Lower (Remove) - 641030010</p>	
<p>3</p>	<p>Perform Pedal, Accelerator (Remove) - 782610010</p>	
<p>4</p>	<p>Perform Drain Valve, Front HVAC Assembly (Remove) - 266468010</p>	



<p>1</p>	<p>PLACE THE GEN 1 JIG ON THE HVAC CASE IN THE INDICATED POSITION.</p> <p>NOTE: THE PUSH CLIP SHOULD ENGAGE THE BOSS AND HELP HOLD THE JIG IN PLACE</p>	
<p>2</p>	<p>USE A POWER DRILL DRIVER AND THE PROVIDED 5/16" DRILL BIT TO CAREFULLY DRILL ALL 3 HOLES</p>	
<p>3</p>	<p>ONCE THE HOLES ARE DRILLED, CLEAN UP ANY DEBRIS AND PERFORM STEPS TO CLEAN THE HVAC CASE WITH THE FOAMING CLEANER</p>	
<p>4</p>	<p>AFTER THE CASE HAS BEEN CLEANED AND DRIED, USE THE GROMMETS IN THE KIT TO CAP THE HOLES DRILLED IN THE CASE AND RETURN VEHICLE TO USEABLE STATE.</p>	



<p>1</p>	<p>PLACE THE GEN 2 JIG ON THE HVAC CASE IN THE INDICATED POSITION.</p>	
<p>2</p>	<p>USE A POWER DRILL DRIVER AND THE PROVIDED 5/16" DRILL BIT TO CAREFULLY DRILL A HOLE IN THE CASE</p>	
<p>3</p>	<p>ONCE THE HOLE IS DRILLED, CLEAN UP ANY DEBRIS AND PERFORM STEPS TO CLEAN THE HVAC CASE WITH THE FOAMING CLEANER</p>	
<p>4</p>	<p>AFTER THE CASE HAS BEEN CLEANED AND DRIED, USE THE PLUGS TO CAP THE HOLES DRILLED IN THE CASE AND RETURN VEHICLE TO USEABLE STATE.</p>	

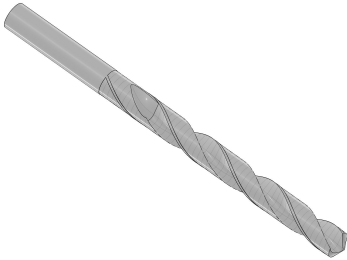



BASIC MAINTENANCE GUIDE

TASK	FREQUENCY
Check contents of the case to ensure you have enough plugs to perform the applicable procedure	Before Each Use
Check contents of the case. If there are fewer than 4 plugs remaining. order more.	After Each Use
Return all parts to the case, lock the lid, and return it to its storage location	After Each Use



FOR OTHER ITEMS NOT SHOWN, CONTACT RIVIAN SERVICE TOOL ENGINEERING

ITEM	DESCRIPTION	SUPPLIER + PART NUMBER	PHOTO
1	DRILL BIT - 0.3125 INCH JOBBER LENGTH HSS	MCMASTER-CARR PN - 8870A32	
2	GROMMET - 0.3125 INCH CUT TO SIZE	MCMASTER-CARR PN - 2633N19	



PROBLEM	SOLUTION
The drill bit spins the drill jig off of the HVAC case	The drill bit has to be properly aligned with the drill bushing to work properly. Adjust the angle of the drill bit so that it moves smoothly within the drill bushing





DANGER

Risk of electrocution or electric shock



WARNING

Risk of minor injury



DANGER

Risk of major injury such as

- fire
- chemical or poison
- crushing / maiming
- death



CAUTION

Risk of

- damage to vehicle or property
- data disruption
- voiding warranty



CAUTION

Risk of Pinch Point

- keep hands and fingers clear of all moving parts.



PPE REQUIRED

IMPORTANT

Instructions to successfully complete a task

NOTE

Useful information

REV	DATE	CHANGE DESCRIPTION
1	06/23/2026	Initial release

